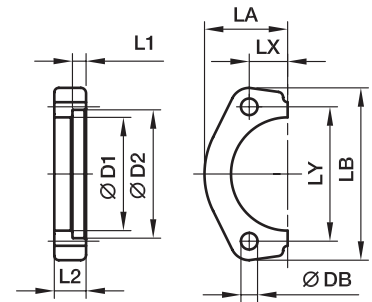


**FHSF SAE Flange halves flat**

ISO 6162-1/-2


**3000 PSI Series**

Nom. flange size		D1	D2	L1	L2	LA	LB	LX	LY	DB	Bolts		Weight (steel) kg/piece	Order code*	PN (bar) <sup>1)</sup> CF
SAE (in.)	ISO (DN)										(metr.)	(unc.)			
1/2	13	24.3	31.0	6.2	13	22.8	56	8.7	38.1	8.9	M 08x25	5/16x1 1/4	0.06	<b>FHSF32</b>	345
3/4	19	32.1	38.9	6.2	14	25.9	65	11.1	47.6	10.6	M 10x30	3/8x1 1/4	0.07	<b>FHSF33</b>	345
1	25	38.5	45.3	7.5	16	29.2	70	13.1	52.4	10.6	M 10x30	3/8x1 1/4	0.10	<b>FHSF34</b>	345
1 1/4	32	43.7	51.6	7.5	16	36.6	79	15.1	58.7	10.6	M 10x35	-	0.16	<b>FHSF35/10</b>	276
1 1/4	32	43.7	51.6	7.5	16	36.6	79	15.1	58.7	12.5	M 12x35	7/16x1 1/2	0.16	<b>FHSF35/12</b>	276
1 1/2	38	50.8	61.1	7.5	16	41.1	94	17.9	69.9	13.5	M 12x35	1/2x1 1/2	0.21	<b>FHSF36</b>	207
1 1/2	38	50.8	61.1	7.5	16	41.1	94	17.9	69.9	14.5	M 14x35	-	0.20	<b>FHSF36/14</b>	207
2	51	62.8	72.3	9.0	16	48.2	104	21.4	77.8	13.5	M 12x35	1/2x1 1/2	0.26	<b>FHSF38</b>	207
2	51	62.8	72.3	9.0	16	48.2	104	21.4	77.8	14.5	M 14x35	-	0.25	<b>FHSF38/14</b>	207
2 1/2	64	74.9	84.9	9.0	19	53.0	114	25.4	88.9	13.5	M 12x40	1/2x1 3/4	0.38	<b>FHSF310</b>	172
2 1/2	64	74.9	84.9	9.0	19	53.0	114	25.4	88.9	14.5	M 14x40	-	0.36	<b>FHSF310/14</b>	172
3	76	90.9	102.4	9.0	22	64.3	135	31.0	106.4	16.7	M 16x45	5/8x1 3/4	0.57	<b>FHSF312</b>	138

**6000 PSI Series**

1/2	13	24.6	32.5	7.2	16	23.6	56	9.1	40.5	8.9	M 08x30	5/16x1 1/4	0.08	<b>FHSF62</b>	420
3/4	19	32.5	42.0	8.3	20	30.0	71	11.9	50.8	10.6	M 10x35	3/8x1 1/2	0.14	<b>FHSF63</b>	420
1	25	38.8	48.4	9.0	25	34.8	81	13.9	57.2	13.3	M 12x45	-	0.23	<b>FHSF64</b>	420
1 1/4	32	44.5	54.8	9.8	27	38.6	95	15.9	66.6	15.0	M 14x50	-	0.34	<b>FHSF65</b>	420
1 1/4	32	44.5	54.8	9.8	27	38.6	95	15.9	66.6	13.3	M 12x50	1/2x1 3/4	0.34	<b>FHSF65/12</b>	420
1 1/2	38	51.6	64.3	12.1	30	47.5	113	18.3	79.3	16.7	M 16x55	5/8x2 1/4	0.59	<b>FHSF66</b>	420
2	51	67.6	80.2	12.1	37	56.9	133	22.2	96.8	20.6	M 20x65	3/4x2 3/4	0.93	<b>FHSF68</b>	420

1) Pressure shown = Item deliverable

$$\frac{PN \text{ (bar)}}{10} = PN \text{ (MPa)}$$

Material for steel: C60

 \*Please add the **suffixes** below according to the material/surface required.

Order code suffixes			
Material	Suffix surface and material	Example	Description
Steel, zinc plated, Cr(VI)-free	CF	FHSF32CF	only flange half